



Free-swing
slide-channel
door closer

DORMA TS 99

For easy use of fire and smoke check doors combined with safe closing in an emergency.

The DORMA TS 99 FL is a hold-open device with a free-swing function which, in conjunction with a smoke detector system (e.g. DORMA RMZ-K/S) can be used as a hold-open system for fire doors. An integrated solution, i.e. hold-open device with free-swing function plus built-in smoke detector system, is also available in the form of the DORMA TS 99 FLR.

In both systems, the door can be operated without resistance thanks to their free-swing feature. In the event of an alarm or power failure, however, the door is reliably closed by the reinstated action of the door closer.



Quality assured manufacture to DIN ISO 9001, EN 29001, BS 5750. Certified and verified by BSI Quality Assurance Reg.-No. Q 6423, FM 10756

Plus points

For the trade

- Ideal complement to the product range
- Low storage costs and minimised stocking requirement thanks to separate packs for closer body and slide channel

For the installer/fabricator

- Easy and quick to fit
- Time-saving, problem-free electrical connections

For the architect/specifier

- Compact design
- Reliable closing of fire/smoke check doors in homes for the elderly, centres for the disabled and hospitals

For the user

- Door operates without resistance
- Easy functional check with test pushbutton.

F Approval certification

TS 99 FL

The DORMA TS 99 FL is approved by the German Institute for Building Technology, Berlin, for use with the smoke detector system DORMA RMZ-K/S and other well known smoke detector systems; acceptance test required in Germany.

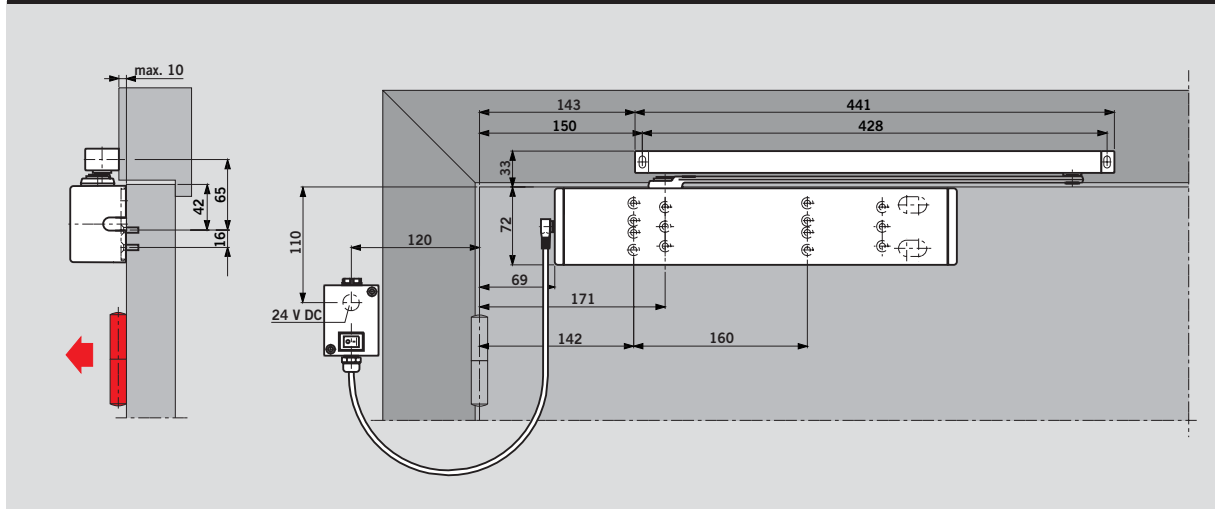
TS 99 FLR

The DORMA TS 99 FLR is approved by the German Institute for Building Technology, Berlin, as a hold-open system; acceptance test required in Germany.

Data and features		TS 99 FL	TS 99 FLR
Spring strength setting	Size	EN 4	EN 4
Standard doors	≤ 1100 mm	●	●
Fire and smoke check doors	≤ 1100 mm	●	●
Non-handed		●	●
Arm assembly type	Slide channel	●	●
Closing speed adjustable at valve		●	●
Adjustable latching action		–	–
Backcheck		–	–
Delayed action		–	–
Free-swing function		●	●
Weight in kg		3.5	4.9
Dimensions in mm	Length	371	660
	Overall depth	52	52
	Height	71	71
Door closer tested to EN 1154 A		●	●
Hold-open devices tested to EN 1155		●	●
Functions	Smoke detector	–	●
	Release device	●	●
	Power supply unit	–	●
Smoke detection	Scattered light principle, optical sensor	–	●
Connection of other detectors	2-wire system	–	●
	Smoke switches	–	●
Total installed load (max.) for other detectors in W		–	5.7
Indicators	Alarm – red LED	–	●
	Armed – green LED	–	●
Input voltage		24 V DC ± 15 %	230 V AC ± 10 %
Output voltage		–	24 V DC
Power consumption in W		2	14.6
Floating change-over contacts	Switching voltage (max.)	–	60 V DC/ 25 V AC
	Switching current (max.)		2 A
	Switching capacity (max.)		60 W
Reset	Automatic; selector for manual reset	–	●
Test port for function test		–	●
Connection terminals for remote manual release		–	●
Degree of protection		–	IP 20
Ambient temperature range in °C		–	–15, +60

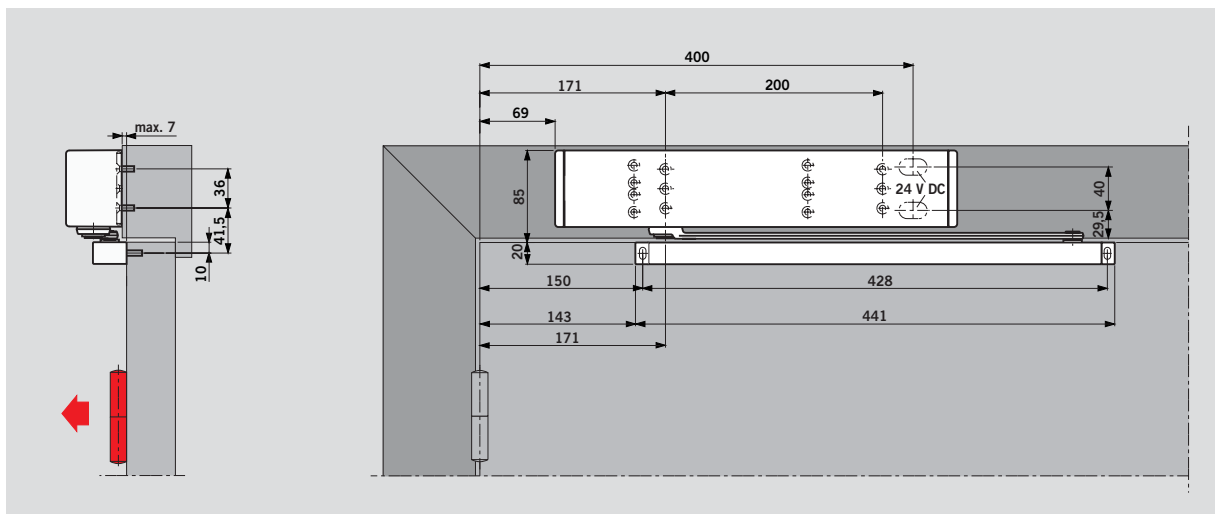
● yes – no

Applications and fixing



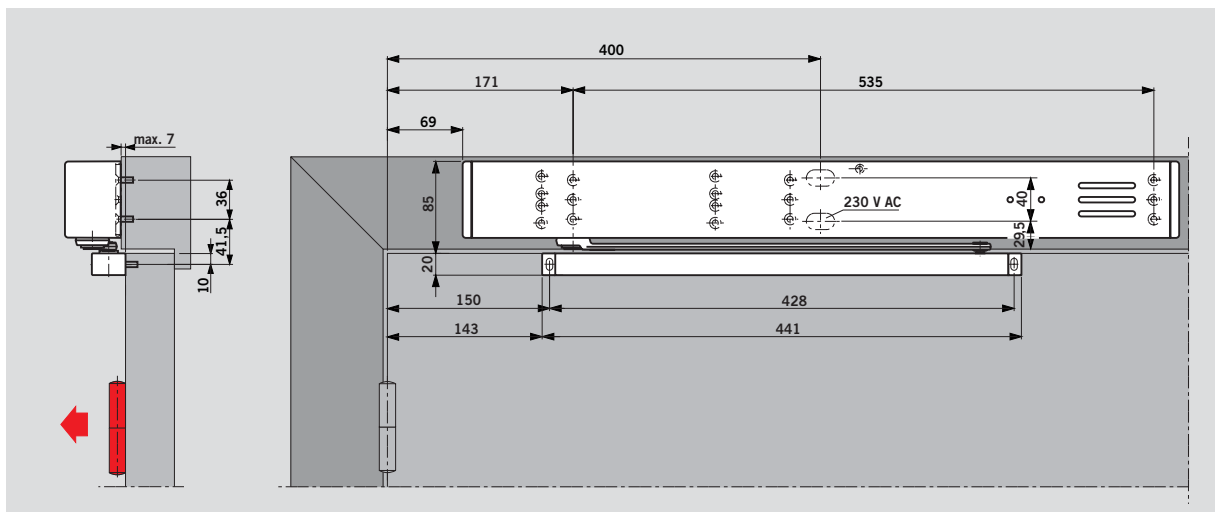
DORMA TS 99 FL door closer, standard application (door leaf fixing)

Examples: Anticlockwise-closing (ISO 6/LH) door; mirrored arrangements apply to clockwise-closing (ISO 5/RH) doors



DORMA TS 99 FL door closer, frame mounted (transom fixing)

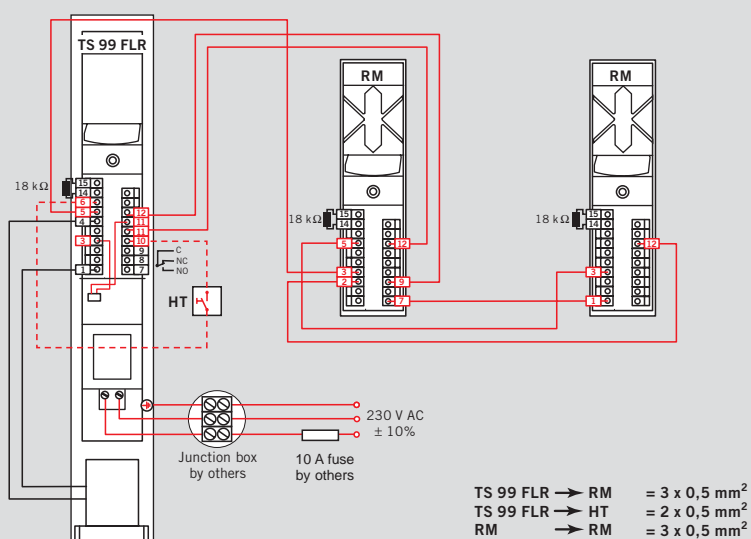
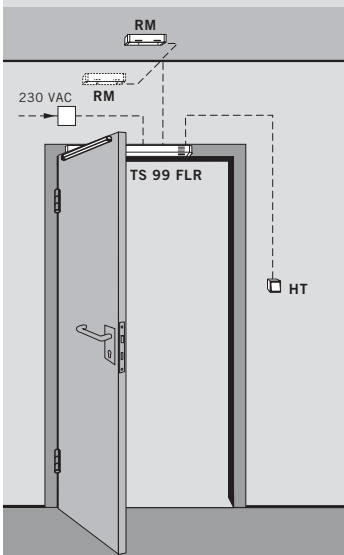
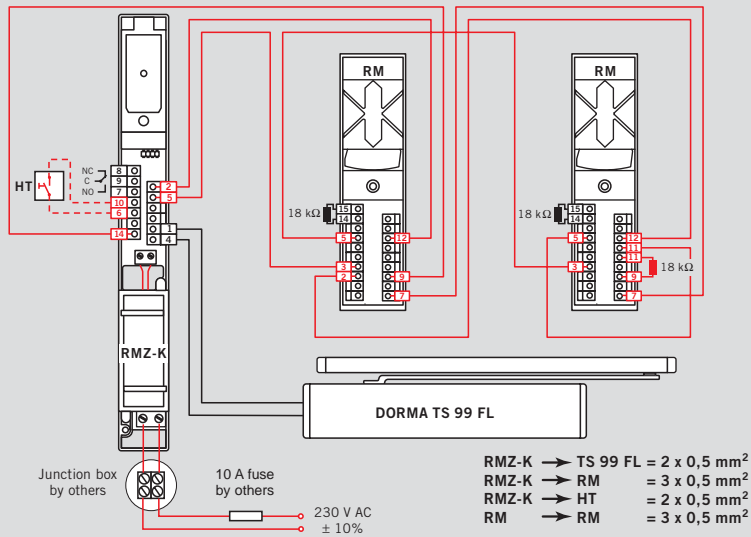
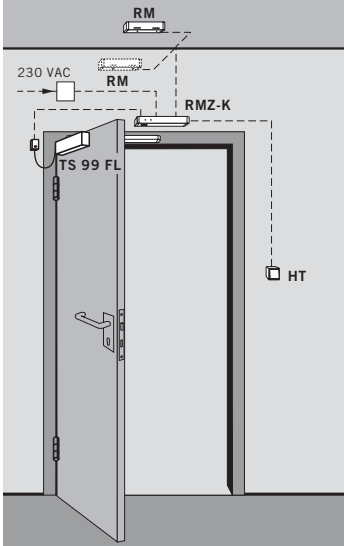
Examples: Anticlockwise-closing (ISO 6/LH) door; mirrored arrangements apply to clockwise-closing (ISO 5/RH) doors



DORMA TS 99 FLR door closer

Examples: Anticlockwise-closing (ISO 6/LH) door; mirrored arrangements apply to clockwise-closing (ISO 5/RH) doors

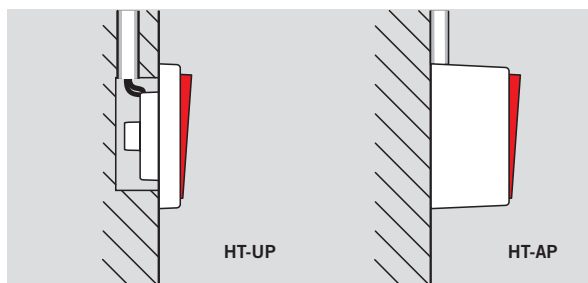
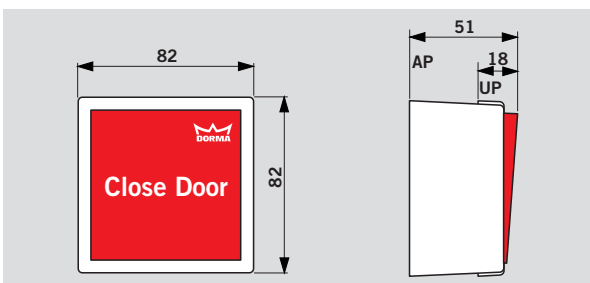
Hold-open system – Example applications



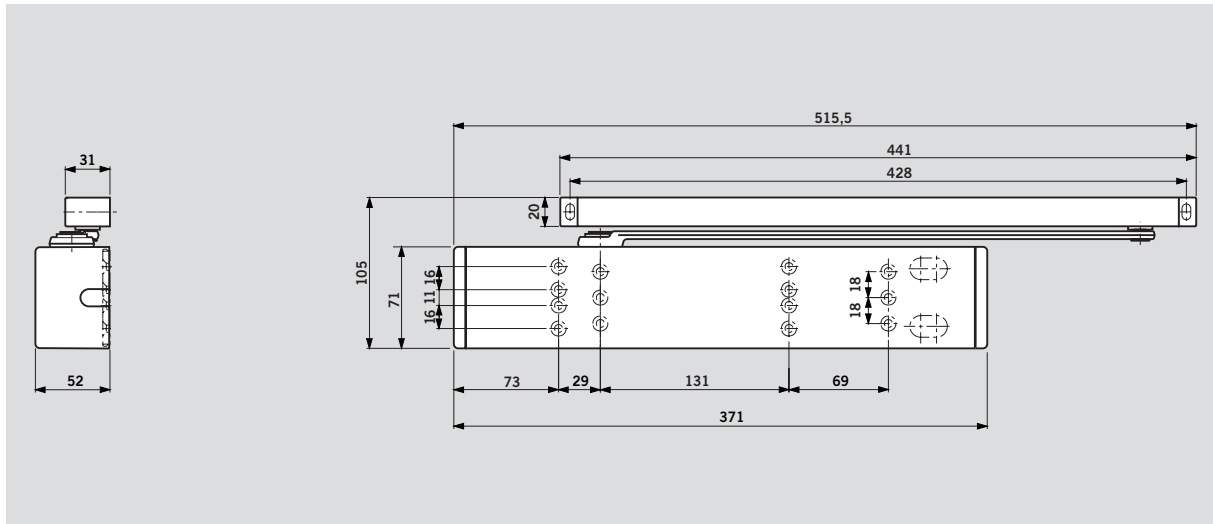
DORMA HT manual release switch

According to the regulations governing hold-open systems issued by the Institute of Building Technology (DIBt), Berlin, a manual release switch must be provided for free-swung door closers.

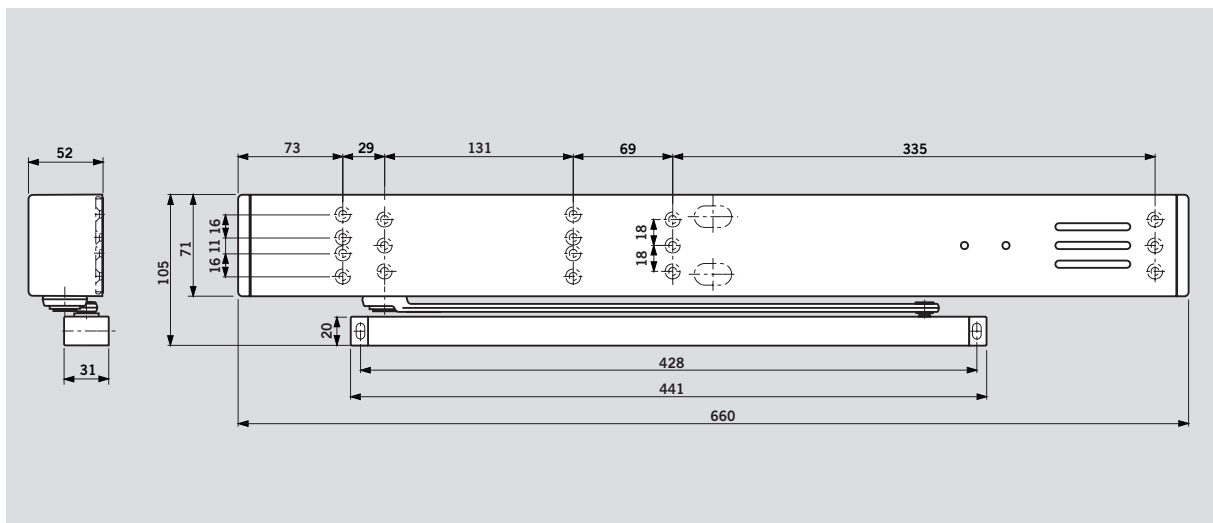
This palm switch must be red and carry the inscription "Close Door". The switch must be located in the immediate vicinity of the door and must not be hidden by the opened door.



DORMA TS 99 FL



DORMA TS 99 FLR

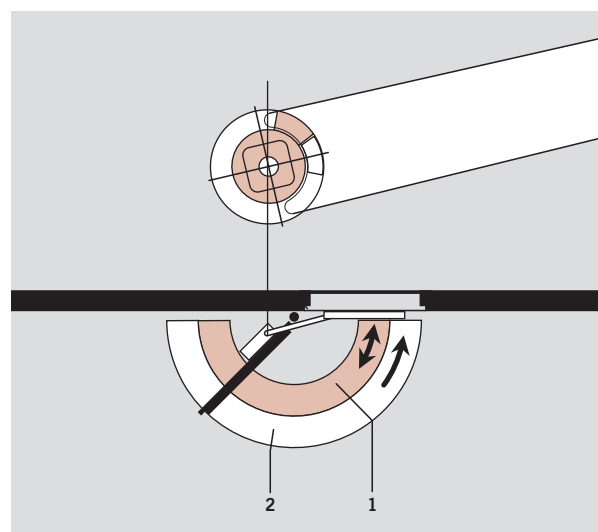


The free-swing function


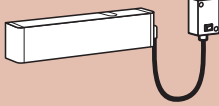


If the door leaf is opened (approx. 75°), the closer spindle in this position is held by the electro-hydraulic hold-open device in the closer body. However, the door can be freely operated thanks to the free-swing function incorporated in the arm assembly. In the event of a fire or power failure, the door is reliably closed by the action of the door closer.

This system is ideal in applications such as homes for the elderly, centres for the disabled and hospitals. (Not recommended for corridor doors, which should be held open at a fixed position.)

- 1 Free-swing range
- 2 Fully controlled closing action (mechanical)



Standard equipment and accessories

	Slide channel with free-swing arm assembly	Manual release switch
		<input type="checkbox"/> HT-UP 35901531 <input type="checkbox"/> HT-AP 35901532
TS 99 FL door closer body Leaf-fixed Size EN 4 	<input type="checkbox"/> 532801xx	#
TS 99 FL door closer body Transom-fixed Size EN 4 	<input type="checkbox"/> 532901xx	#
TS 99 FLR door closer body Size EN 4 	<input type="checkbox"/> 542501xx	#


<input type="checkbox"/>	= Closer body complete with slide channel assembly	Colour	xx
		Silver	01
		White (sim. to RAL 9010)	10
		White (sim. to RAL 9016)	11
		Special colour	09

Specification text, DORMA TS 99 FL

Slide channel door closer, size EN 4, with electro-hydraulic hold-open and free-swing function; adjustable closing speed, non-handed. Operating voltage 24 V DC. Approved by DIBt, Berlin, for use in hold-open systems. Acceptance test required in Germany.

Model
 Leaf-fixed
 Transom-fixed

Colour
 Silver
 White (sim. to RAL 9010)
 White (sim. to RAL 9016)
 Special colour _____ (sim. to RAL _____)


Make DORMA TS 99 FL
 TS99FL/4

Specification text, DORMA TS 99 FLR

Slide channel door closer, size EN 4, with electro-hydraulic hold-open, free-swing function, integrated power supply and smoke detector; adjustable closing speed, non-handed. Prepared for connection of further detectors, remote manual release device and floating alarm contact. Power supply data: 230 V AC; Operating voltage 24 V DC.

Approved by DIBt, Berlin, for use in hold-open systems. Acceptance test required in Germany.

Colour
 Silver
 White (sim. to RAL 9010)
 White (sim. to RAL 9016)
 Special colour _____ (sim. to RAL _____)

Make DORMA TS 99 FLR
 TS99FLR/4

DORMA GmbH + Co. KG
 Division Door Control
www.dorma.com

Central Europe
 DORMA GmbH + Co. KG
 Breckerfelder Str. 42-48
 D-58256 Ennepetal
 Phone: +49 23 33/7 93-0
 Fax: +49 23 33/7 93-4 95

Australia
 DORMA Door Controls Pty. Ltd.
 52 Abbott Road
 Hallam/Victoria 3803
 Australia
 Phone: +61 3/97 96 35 55
 Fax: +61 3/97 96 39 55

Emerging Markets
 DORMA GmbH + Co. KG
 Breckerfelder Str. 42-48
 D-58256 Ennepetal
 Phone: +49 23 33/7 93-0
 Fax: +49 23 33/7 93-4 95

Far East
 DORMA Door Controls Pte. Ltd.
 No. 2 Jalan Terusan, Jurong
 Singapore 619285
 Phone: +65 62 68/76 33
 Fax: +65 62 65/79 14

France
 DORMA France S.A.S
 Europarc
 42/44, rue Eugène Dupuis
 F-94046 Creteil Cedex
 Phone: +33 1/41 94 24 00
 Fax: +33 1/41 94 24 01

Gulf
 DORMA Gulf Door Controls FZE
 Jebel Ali Free Zone,
 Roundabout 8,
 Unit VC 02
 Dubai, United Arab Emirates
 Phone: +971 48/83 90 14
 Fax: +971 48/83 90 15

North America
 DORMA Architectural Hardware
 DORMA Drive, Drawer AC
 Reamstown, PA 17567
 Phone: +1-800-523-8483
 Fax: +1-800-274-9724

Scanbalt
 DORMA Danmark A/S
 Sindalvej 6 - 8
 DK-2610 Rødovre
 Phone: +45 44/54 30 00
 Fax: +45 44/94 95 04

South Africa
 DORMA Door Controls (Pty.) Ltd.
 Kings Court
 4A Mineral Crescent
 ZA-2000 Crown/Gauteng
 Johannesburg
 Phone: +27 11/8 30 02 80
 Fax: +27 11/8 30 02 91

South America
 DORMA Sistemas de Controles
 para Portas Ltda.
 Av. Piracema, 1400
 Centro Empresarial Tambore
 CEP 06400 Barueri/
 São Paulo, Brasil
 Phone: +55 11/41 91 32 44
 Fax: +55 11/41 91 21 93

South-East Europe
 DORMA AUSTRIA GmbH
 Pebering Strass 22
 A-5301 Eugendorf
 Phone: +43 62 25/2 84 88
 Fax: +43 62 25/2 84 91

South Europe
 DORMA Italiana S.r.l.
 Via. A. Canova 44/46
 I-20035 Lissone (MI)
 Phone: +39 039/24 40 31
 Fax: +39 039/24 40 33 10
 DORMA Ibérica, S.A.
 Camino San Martín de la Vega, 4
 E-28500 Arganda del Rey
 (Madrid)
 Phone: +34 91/8 75 78 50
 Fax: +34 91/8 75 78 81

UK/Ireland
 DORMA Door Controls Ltd.
 DORMA Trading Park
 Staffa Road
 GB-London E10 7QX
 Phone: +44 208/5 58 84 11
 Fax: +44 208/5 58 61 22

